

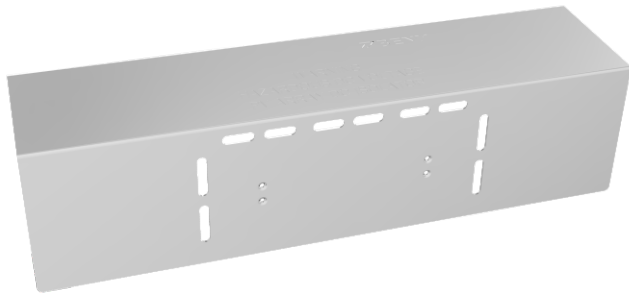
# Aluminium Alloy Protection Cover

## for DC Isolator Switch

Meet the requirement of AS/NZS5033:2021

### Specification

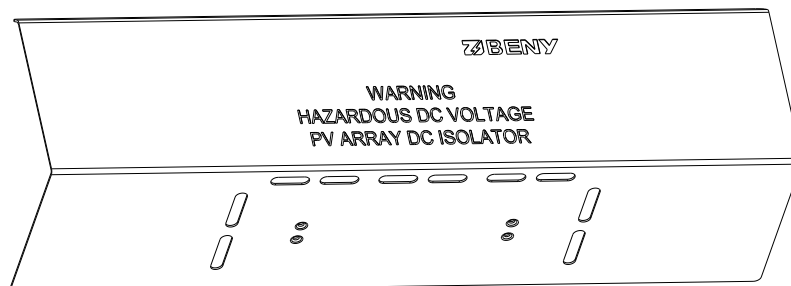
---



- Type: BYC-555, 145\*141\*555mm
- Easier to install DC Isolator Switch in complex environments
- Prevent DC Isolator Switch from high temperature sun exposure
- Give DC Isolator Switch longer working life
- Protect DC Isolator Switch from impact

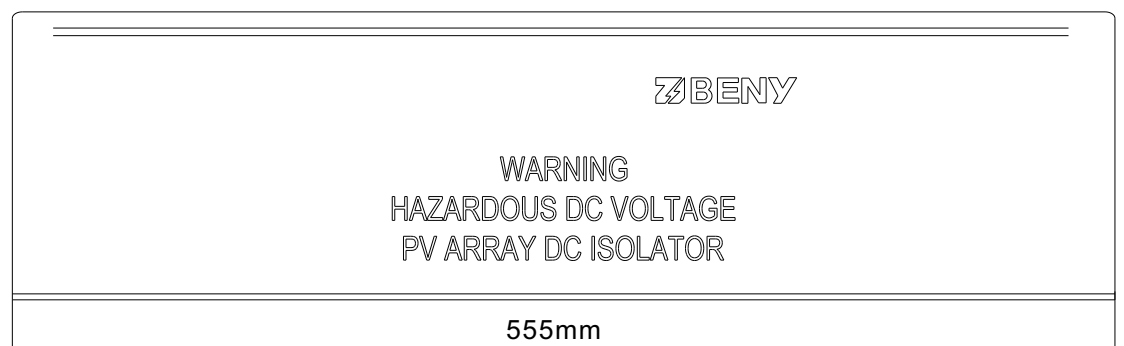
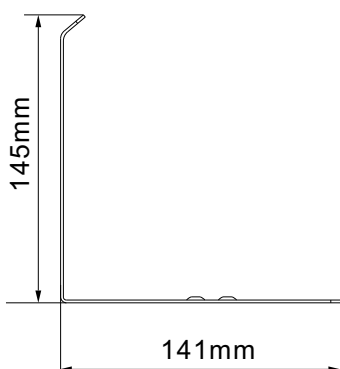
### Appearance

---



### Size

---



# Aluminium Alloy Protection Cover for DC Isolator Switch

## Installation

