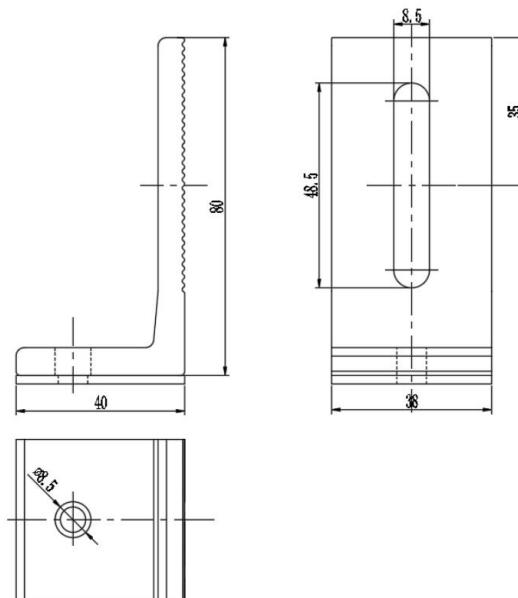


Product Specification

HOP-TRB-F04 Ver: 1.0



Name	L Feet 2#
Stock Code	TRB-F04
Weight(g)	76
BOM	HOP-H24-0038 (AL6005-T5) x 1 HOP-K03-0040 (EPDM) x 1
Packing	50pcs
Carton size	260×205×180