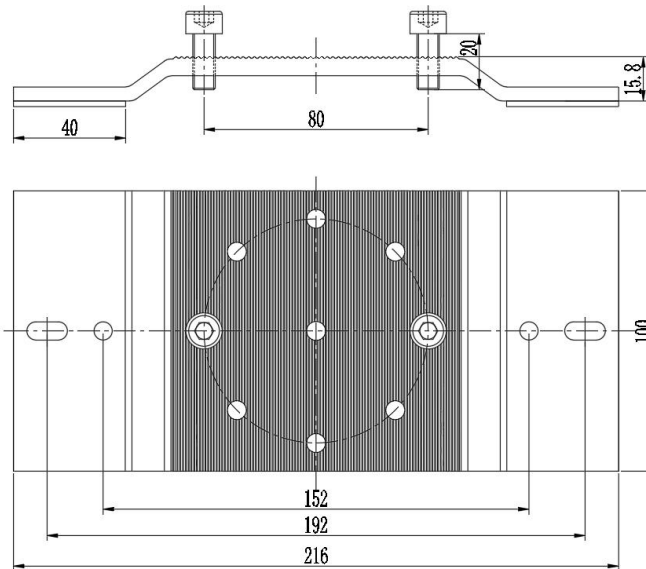
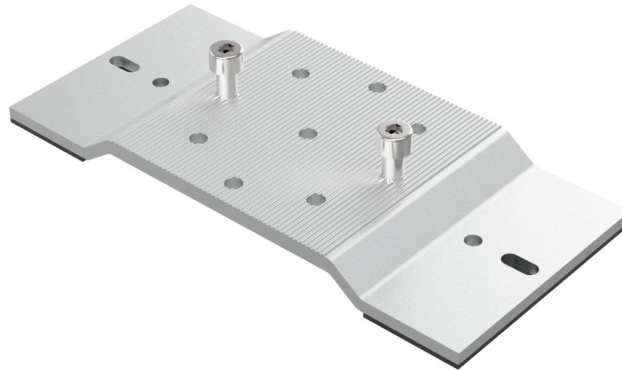


Product Specification

HOP-TRB-C06 Ver: 1.0



Name	CK Interface Bracket
Stock Code	TRB-C06
Weight(g)	396
BOM	HOP-H23-0100 (AL6005-T5) x 1 HOP-K11-0100 (EPDM) x 2 M8*20 Hexagon socket head cap screws (SUS304) x2
Packing	10pcs
Carton size	260×205×180