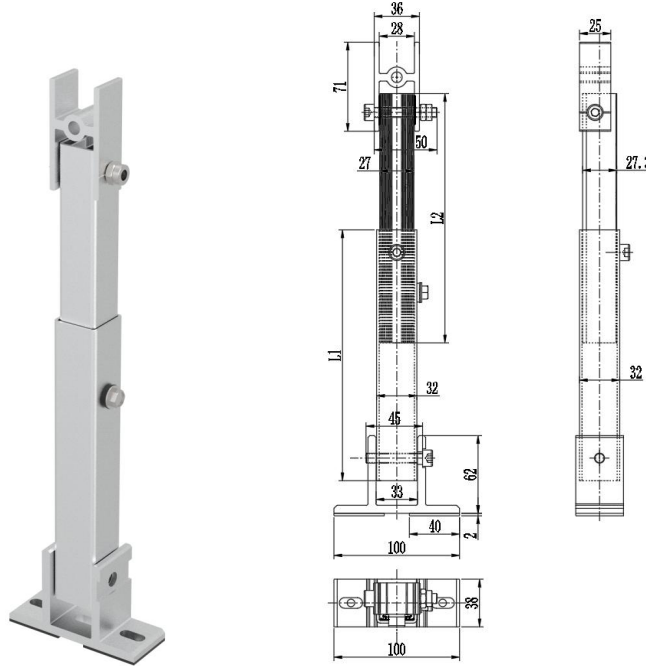


## Product Specification

HOP-TRB-ARL-F00 Ver: 1.0



No.	Part No.	Feature Size			Weight(kg)	Packing	Carton size
		$\alpha$	L1	L2			
1	TRB-ARL-F15-NS1	10~15°	200	200	0.621	40pcs	540×220×380
2	TRB-ARL-F30-NS1	15~30°	360	360	0.834	20pcs	540×220×380
3	TRB-ARL-F60-NS1	30~60°	660	660	1.235	20pcs	540×220×730

**Name** Adjustable Rear Leg 2#

**Stock Code** TRB-ARL-F00

**Weight(g)** See above table

### BOM

HOP-H81-0038 (AL6005-T5) x 1

HOP-J06-0000 (AL6005-T5) x 1

HOP-J07-0000 (AL6005-T5) x 1

HOP-J63-0025 (AL6005-T5) x 1

HOP-K03-0040 (EPDM) x 2

ST6.3\*25 Self-tapping screw(SUS 410) x 1

M8\*20 Hexagon socket head cap screws (SUS304) x1

M8\*45 Hexagon socket head cap screws (SUS304) x1

M8\*50 Hexagon socket head cap screws (SUS304) x1

M8 flange Hexagon Nuts (SUS304) x 1

M8 1 type non metal insert six angle locking nut x 1

**Packing** See above table

**Carton size** See above table